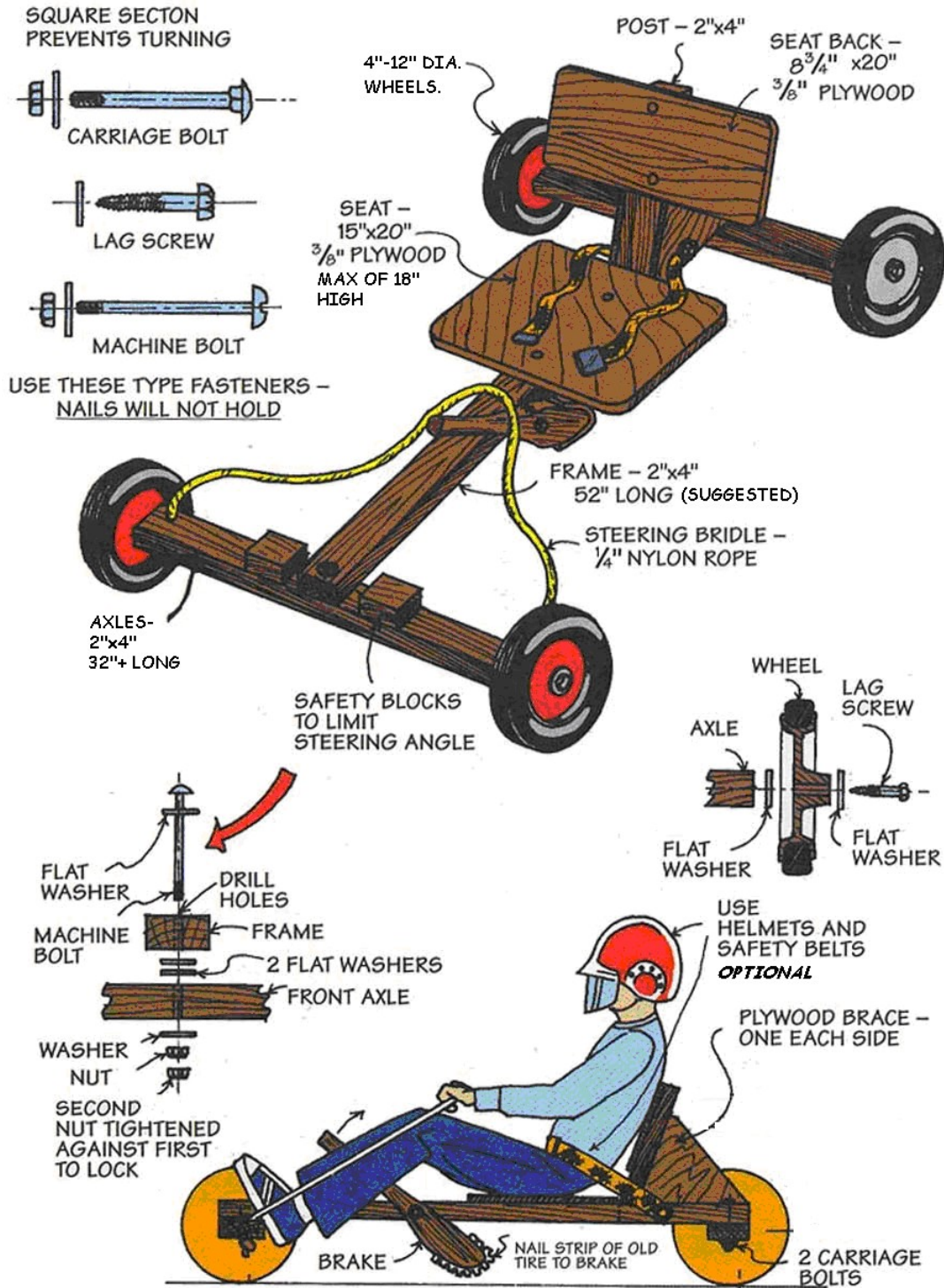
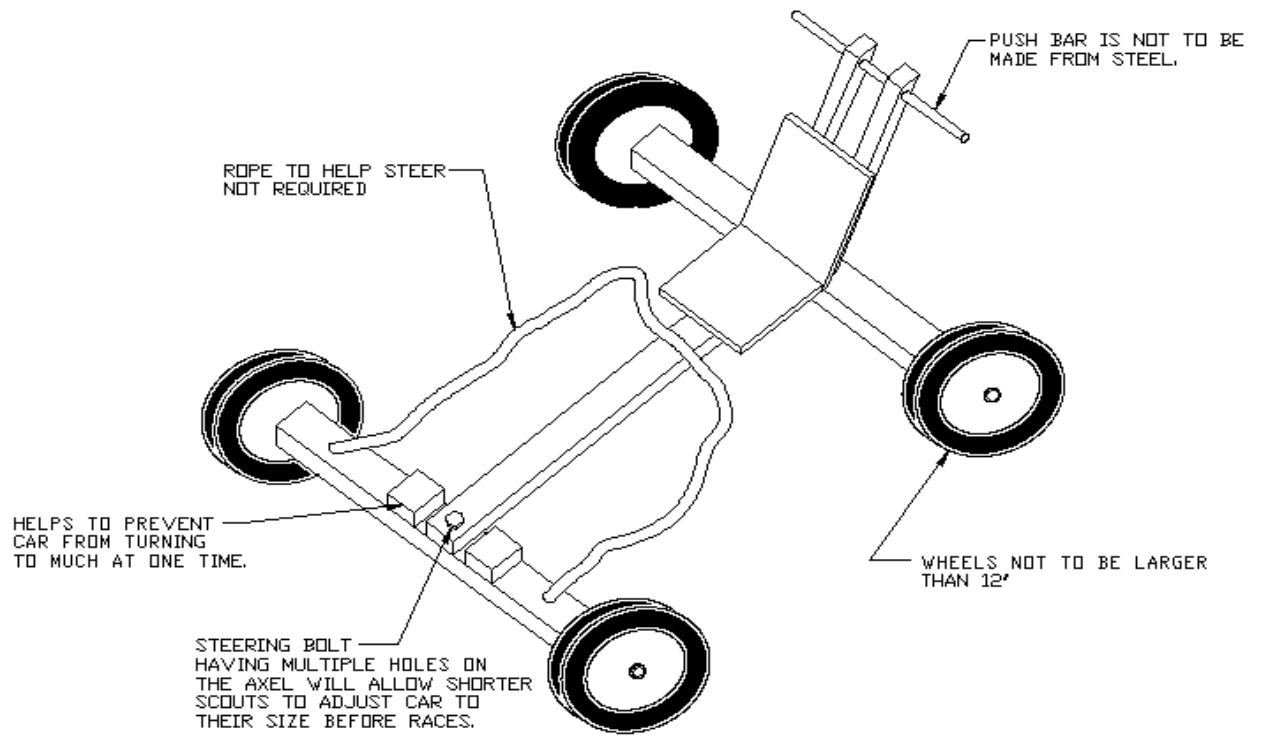


PUSHMOBILE BASIC DIAGRAM. See official Pushmobile rules and regulations for design specification. This diagram is reference only. Dimensions and material are only for reference.





The above design is just an example. Refer to Rules and Regulations for design parameters.





Iron Horse District Pushmobile



Iron Horse District Pushmobile